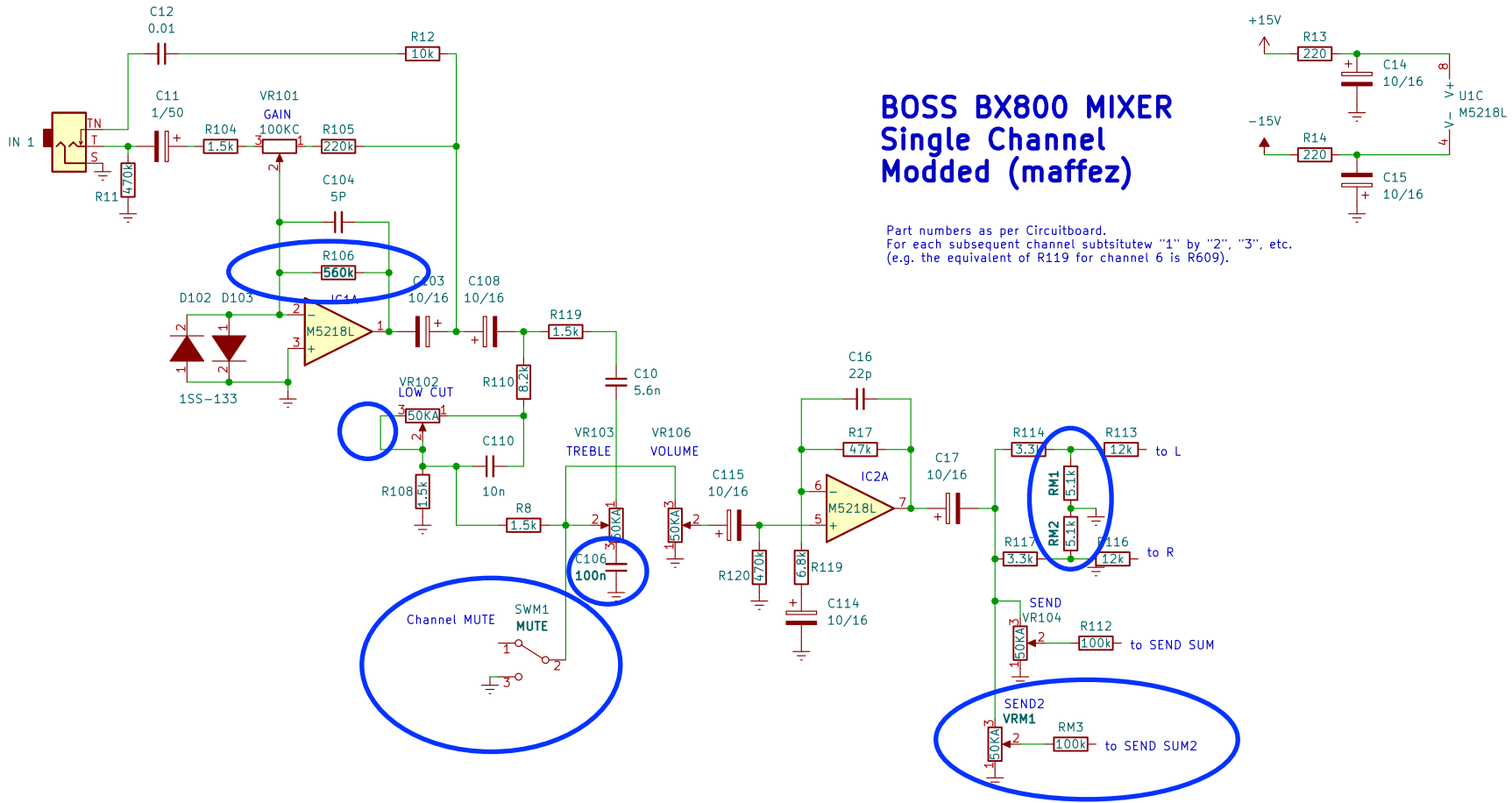


# BOSS BX800 MIXER Single Channel Modded (maffez)

Part numbers as per Circuitboard.  
For each subsequent channel substitute "1" by "2", "3", etc.  
(e.g. the equivalent of R119 for channel 6 is R609).



Just traced for fun/ I don't own any copyright of this  
**maffez**

Sheet: /  
File: BX800\_Modded.kicad\_sch

**Title: Boss\_BX\_800\_Channel1\_traced**

Size: A4 | Date: 2022-09-16

KiCad E.D.A. eeschema (6.0.6-0)

Rev: V0.8

Id: 1/1