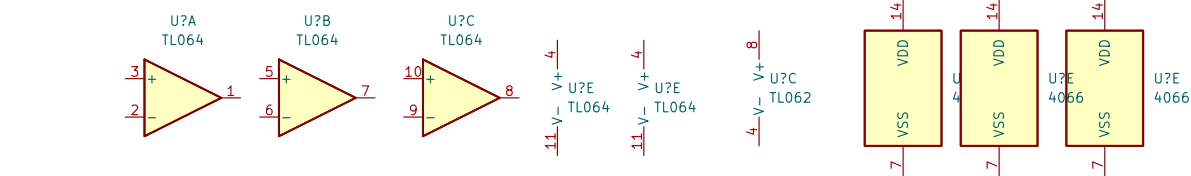
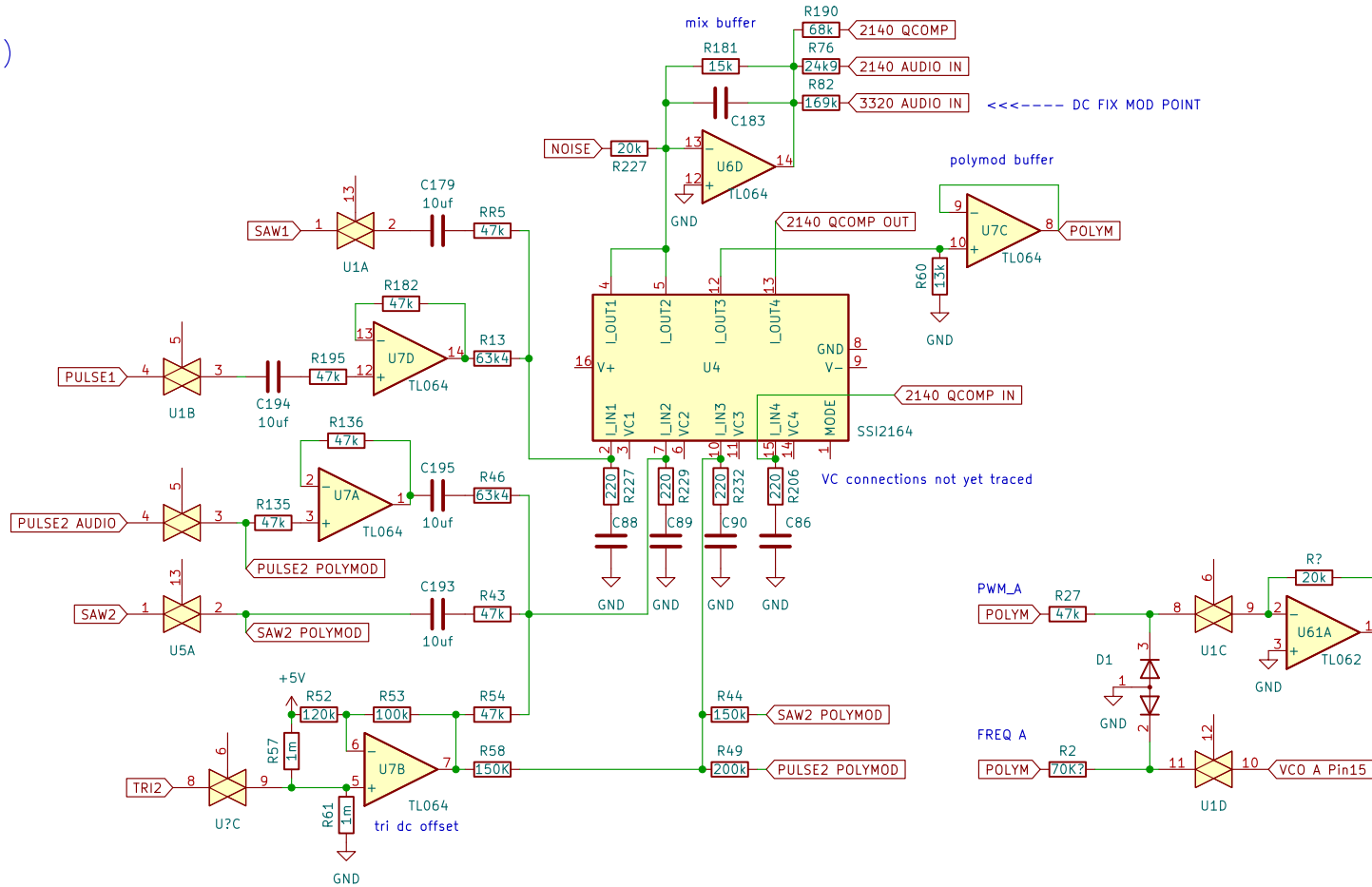
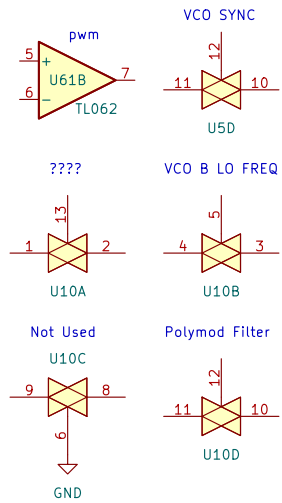


Prophet 5 REV4
VCO mixer section
(partially traced, maffez)



Sheet: /		File: P5REV4_VOICE.kicad_sch	
Title:			
Size: A4	Date:	Rev:	
KiCad E.D.A. eeschema (6.0.6-0)		Id: 1/1	