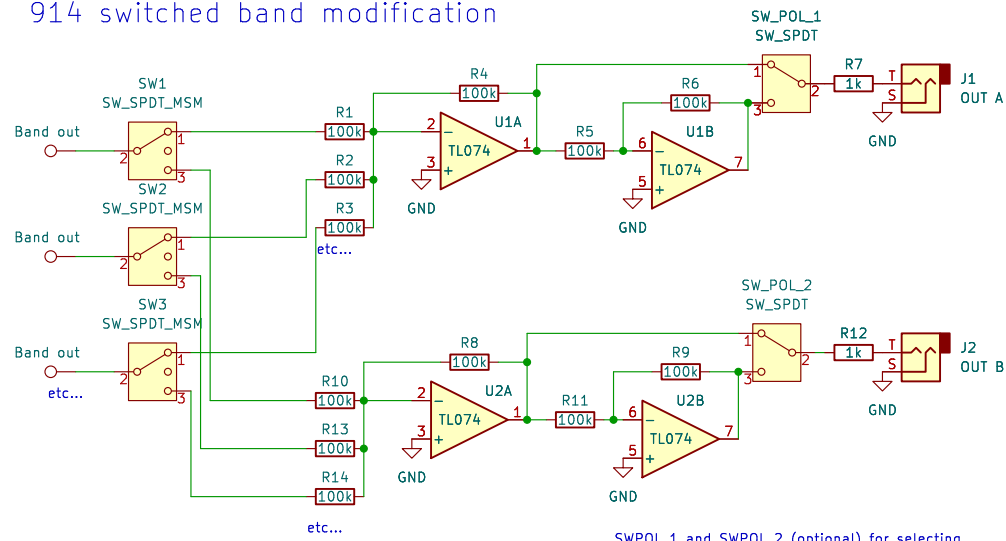


914 switched band modification



SWPOL1 and SWPOL2 (optional) for selecting "OUT A/B" signal polarity. This comes in handy when mixing different outputs. Thanks to Joe_D for the prompt!

BAND	TP on PCB
125	TP3
175	TP8
250	TP14
350	TP2
500	TP9
700	TP15
1000	TP4
1400	TP5
2000	TP16
2800	TP1
4000	TP12
5600	TP13
high	TP6
low	TP7

CC-BY-SA-NC
maffeeez

Sheet: /
 File: switchedbandmod.kicad_sch

Title: 914 switched band out mod

Size: A4 Date: 2024-03-02
 KiCad E.D.A. eeschema 7.0.10

Rev: 1.1
 Id: 1/1